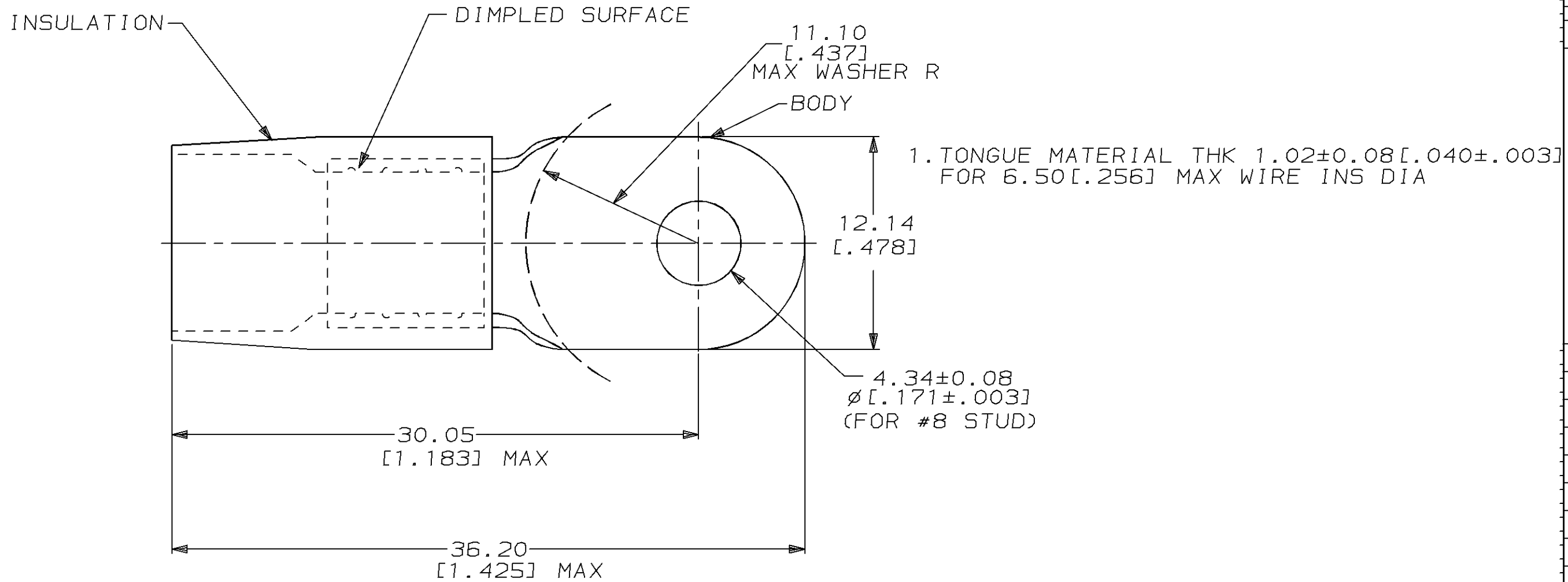


THIS DRAWING IS UNPUBLISHED. RELEASED FOR PUBLICATION, 19
 © COPYRIGHT 19 BY AMP INCORPORATED. ALL INTERNATIONAL RIGHTS RESERVED.

LOC	DIST	P	F	REVISIONS				
G	14			ZONE	LTR	DESCRIPTION	DATE	APPD
					D1	CORRECTION/DRAFTING ERROR	200CT95	556 ME

AMP
WIRE RANGE

8 AWG
STRANDED



AMP INCORPORATED
CUSTOMER SERVICE SYSTEMS

FOR ADDITIONAL PRODUCT INFORMATION OR COPIES OF DRAWINGS AND TECHNICAL DOCUMENTS	PRODUCT INFORMATION CENTER 1-800-522-6752
FOR APPLICATION TOOLING INFORMATION	TOOLING ASSISTANCE CENTER 1-800-722-1111
FOR ORDER ENTRY	1-800-526-5142

MAX RECOMMENDED OPERATING TEMPERATURE:
105°C

VOLTAGE RATING:
-

CIRCULAR MIL AREA:
6.64-10.5mm² [13, 100-20, 800] STRANDED

DO NOT SCALE PRINT. UNLESS SPECIFIED DIMENSIONS IN mm [INCHES] TOLERANCES ON:
 2 PLC DEC ± 0.20 [.008]
 3 PLC DEC ± -
 ANGLES ± -

MATERIAL: COPPER PER ASTM B-152 NYLON (MIL-M-20693) TYPE 1 COLOR: RED

FINISH: TIN PLATE PER MIL-T-10727

-	LOOSE PC	53041
QTY	PACKAGE TYPE	PART NO
DR 6-18-93 S.S. GOULDEN	AMP AMP Incorporated Harrisburg, PA 17105-3608	
CHK 6-18-93 R. HERSEY	NAME	
APPD 6-18-93 B. BARE	TERMINAL, RING TONGUE, TERMINYL WIRE SIZE: 8 AWG	
APPD 6-18-93 M. ELLIS	SIZE	CAGE CODE
PRODUCT SPEC	B	00779
APPLICATION SPEC	DRAWING NO	C=53041
WEIGHT -	SCALE	SHEET
	NTS	1 OF 1